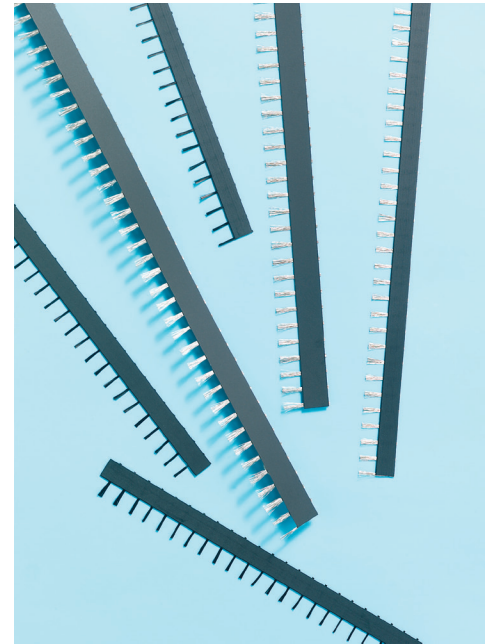


Exceptional performance in a cost effective flexible brush

The FLX-P™ static dissipative brush is manufactured using Electro Static Technology's time-tested methods to provide exceptional performance, consistent reliability, high quality and low cost. The FLX-P™ adds improved performance, exceptional value in high volume, and in cost control over aluminum, aluminum tape, woven and non woven static control devices.

Performance

- FLX-P™ has very high conductivity to provide exceptional static control
- Patented flexible conductive plastic holder improves reliability and is corrosion and oxidation free.
- Low memory ensures consistent placement and prevents edges from lifting and curling
- Conductive acrylic fibers increase reliability by resisting wear, breakage, and curling
- Optimal bundle spacing and fiber density ensure the best static dissipation performance
- Permanent bond adhesive ensures secure attachment to applied surface
- Meets RoHS standards



Production Application

- Easy and accurate to install in high volume environment
- Flexibility of the FLX-P™ conductive plastic holder allows brush to follow the contours of the mounting surface
- Designed with ideal flexibility and rigidity for easy handling during application
- Safe to handle with soft smooth edges to eliminate cuts during installation

Cost Effective

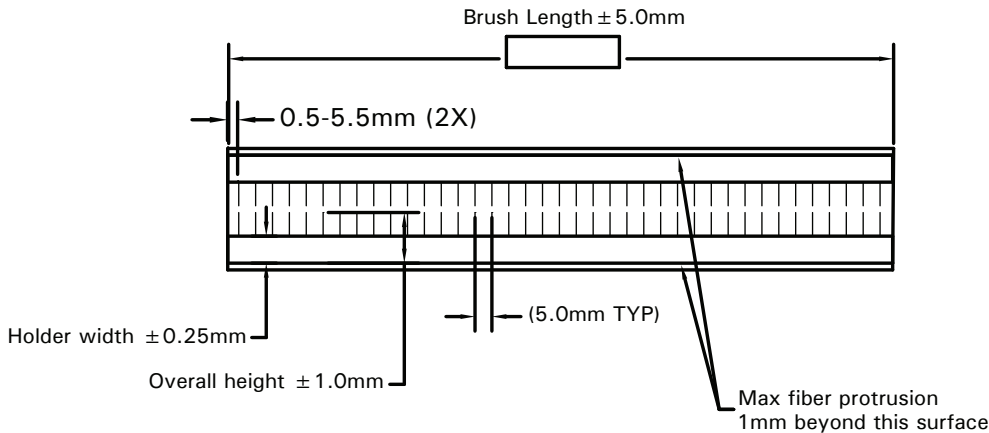
- Decreases production cost by lowering scrap rate. The FLX-P™ will not deform when handled and may be realigned or repositioned during installation
- Lower shipping cost; FLX-P™ is one-third the shipping weight of aluminum brushes
- Design eliminates need for costly ground wire when applied to conductive surface

Electro Static Technology-ITW Inc is the global leader in manufacture and design of static dissipative solutions for the document handling and print industry. As our customer, you will experience not only the value of our exceptional products but world class customer care and support, absolute assurance of supply and engineering expertise for static dissipative solutions.

Use This Form to Request a Quote

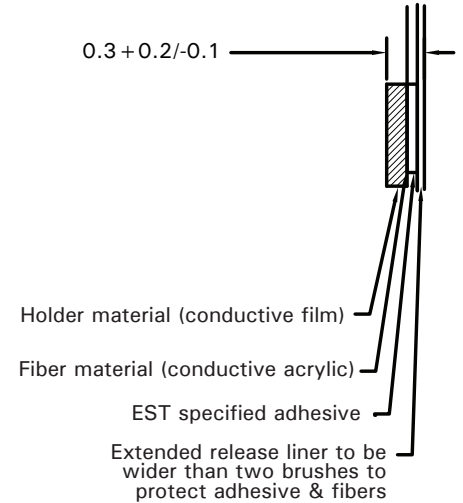
1) Indicate the desired length in the box below (A). Select the configuration from the list (B). Fill in contact info (C).
 2) Send your order in by phone (207-998-5140), fax (207-998-5143) or email (sales@est-static.com).
 If you need assistance with your design, our customer service staff are available Monday - Friday from 8:00am to 5:00pm EST.

A) Indicate length in 5mm increments _____



ALL DIMENSIONS ARE METRIC

Side View



B) Select Configuration:

	HOLDER WIDTH	OVERALL HEIGHT
<input type="checkbox"/>	5mm	8mm
<input type="checkbox"/>	5mm	11.5mm
<input type="checkbox"/>	6mm	11.5mm
<input type="checkbox"/>	8mm	15mm
<input type="checkbox"/>	10mm	20mm

FLX-P™ Fiber Specifications

Material: Conductive acrylic fiber
 Filament diameter: 17.3 micron
 Fiber density: 120 filaments per bundle (nominal)
 Fiber spacing: (5mm typical pitch)

C) Contact Information:

Company Name _____
 Contact Name _____
 Telephone _____
 Email _____

