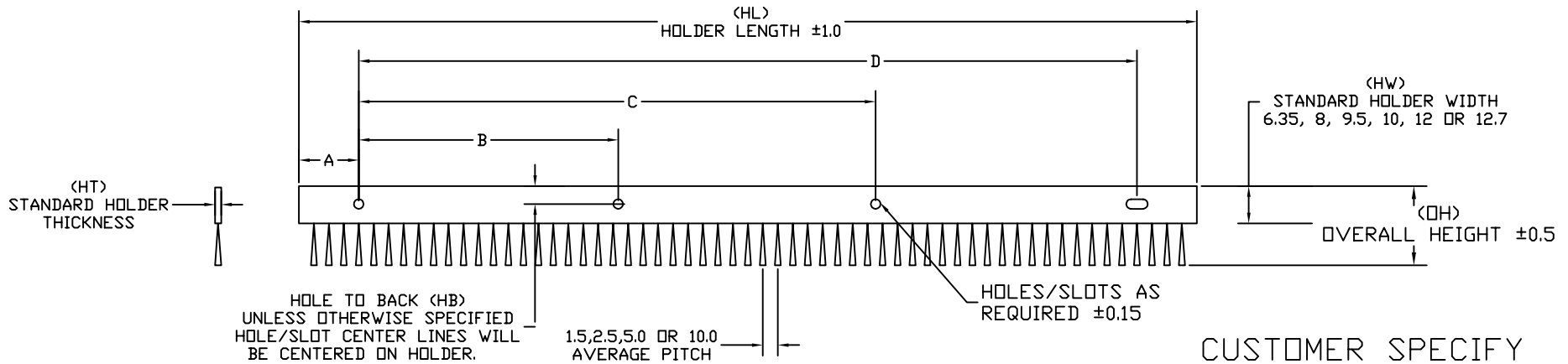


EST Rigid Aluminum Brush Template



SPECIFICATIONS

DIMENSIONS, METRIC (MM)

UNLESS OTHERWISE SPECIFIED, ALL LINEAR TOLERANCES ARE ± 0.50 MM

HOLDER MATERIAL ALUMINUM

AVAILABLE HOLDER LENGTHS (HL) 15 TO 650 MM

HOLE POSITIONING:

A: END TO CENTER OF HOLE/SLOT 20 MM

B&C: HOLE TO HOLE MINIMUM 20 MM

D: HOLE TO SLOT MINIMUM 35 MM

FIBER BUNDLES ADJACENT TO HOLES/SLOTS MAY BE MISSING OR IMPERFECT

FIBER MATERIAL OPTIONS

PLEASE PLACE CHECK MARK NEXT TO DESIRED FIBER TYPE AND PITCH

___12 MICRON, 275 FILAMENTS/BUNDLE
STAINLESS STEEL

___7 MICRON 3000 FILAMENTS/BUNDLE
CARBON

___CONDUCTIVE ACRYLIC

AVERAGE

FIBER PITCH

1.5 _____ STAINLESS STEEL ONLY

2.5 _____

5.0 _____

10.0 _____

CUSTOMER SPECIFY

HOLE/SLOT LOCATION	HOLE SIZE	SLOT SIZE
A		
B		
C		
D		
(HB) ± 0.5		
(HL) ± 1.0		
(HW) ± 0.25		
(HT) ± 0.25	1.0 <input type="checkbox"/>	2.3 <input type="checkbox"/>
(OH) ± 0.50		
ELECTRO STATIC TECHNOLOGY 31 WINTERBROOK ROAD MECHANIC FALLS, MAINE 04256 PHONE (207)998-5140 FAX (207)998-5143 E MAIL sales@est-static.com		
THESE DRAWINGS, SPECS & DATA CONTAINED THEREIN, ARE THE EXCLUSIVE PROPERTY OF ELECTRO STATIC TECHNOLOGY ISSUED IN STRICT CONFIDENCE AND SHALL NOT WITHOUT CONSENT, BE REPRODUCED, COPIED OR USED FOR ANY PURPOSE WHATSOEVER, EXCEPT BUSINESS WITH E.S.T.		
CUSTOMER P/N		
E.S.T. P/N		
DATE	5/14/2012	REV. A