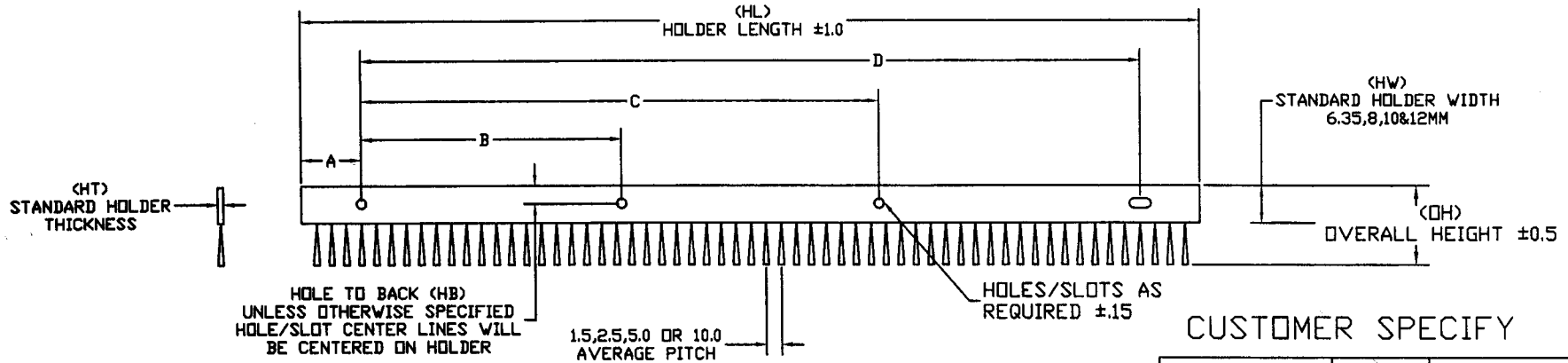


EST AUTOMATIC DESIGN TEMPLATE



SPECIFICATIONS

DIMENSIONS, METRIC (MM)

UNLESS OTHERWISE SPECIFIED, ALL LINEAR TOLERANCES ARE ± 0.50 MM

HOLDER MATERIAL ALUMINUM

AVAILABLE HOLDER LENGTHS (HL) 12.7 TO 380 MM

HOLE POSITIONING:

A: END TO CENTER OF HOLE/SLOT 20. MM

B & C: HOLE TO HOLE MINIMUM 20. MM

D: HOLE TO SLOT MINIMUM 35. MM

FIBER BUNDLES ADJACENT TO HOLES/SLOTS MAY BE MISSING OR IMPERFECT

FIBER MATERIAL OPTIONS

PLEASE PLACE CHECK MARK NEXT TO DESIRED FIBER TYPE AND PITCH

___ 12 MICRON, 275 FILAMENTS/BUNDLE

___ STAINLESS STEEL

___ 7 MICRON 3000 FILAMENTS/BUNDLE

___ CARBON

AVERAGE

FIBER PITCH

1.5 ___ STAINLESS STEEL ONLY

2.5 ___

5.0 ___

10.0 ___

CUSTOMER SPECIFY

HOLE/SLOT LOCATION	HOLE SIZE	SLOT SIZE
A		
B		
C		
D		
(HB) ± 0.5		
(HL) ± 1.0		
(HW) ± 0.25		
(HT) ± 0.25	1.35 <input type="checkbox"/>	1.75 <input type="checkbox"/>
(OH) ± 0.50		

ELECTRO STATIC TECHNOLOGY
 31 WINTERBROOK ROAD
 MECHANIC FALLS, MAINE 04256
 PHONE (207)998-5140 FAX (207)998-5143
 E MAIL sales@est-static.com

THESE DRAWINGS, SPECS & DATA CONTAINED THEREIN, ARE THE EXCLUSIVE PROPERTY OF ELECTRO STATIC TECHNOLOGY ISSUED IN STRICT CONFIDENCE AND SHALL NOT WITHOUT CONSENT, BE REPRODUCED, COPIED OR USED FOR ANY PURPOSE WHATSOEVER, EXCEPT BUSINESS WITH E.S.T.

CUSTOMER P/N

E.S.T.P/N