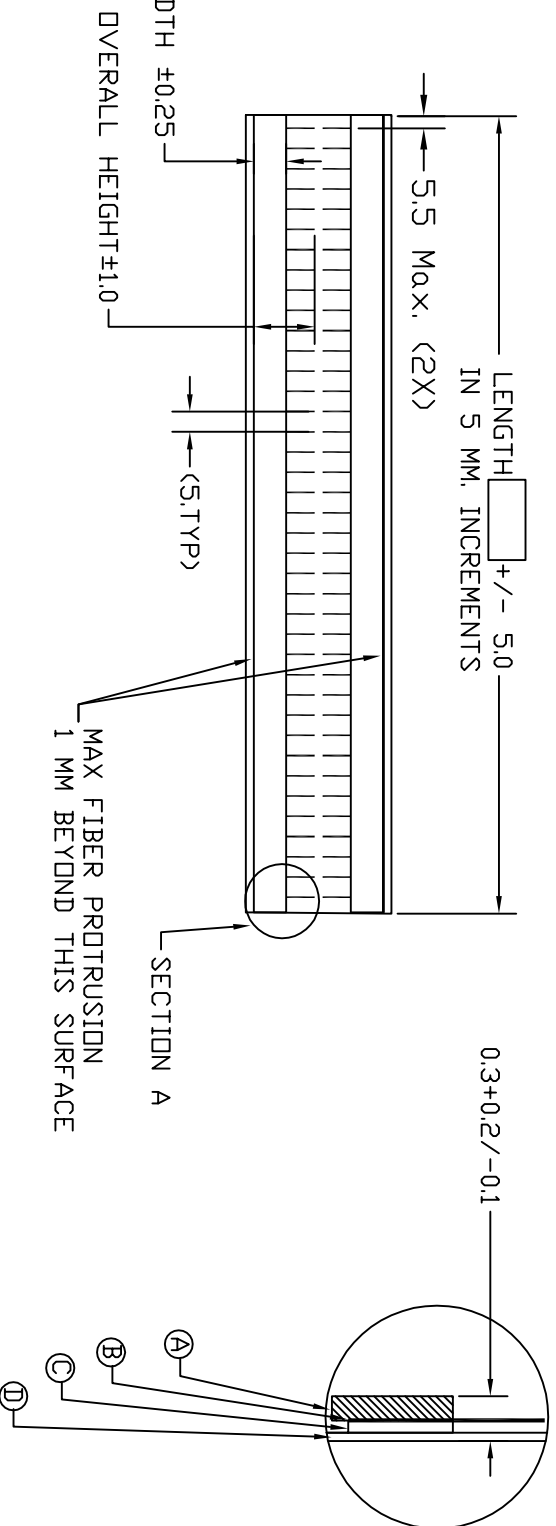


# FLX-P™ BRUSH DESIGN TEMPLATE

ALL DIMENSIONS ARE METRIC



**D INSTRUCTIONS:**  
PLEASE SELECT EST. PN  
AND INDICATE BRUSH LENGTH IN APPROPRIATE BOX ABOVE

HOLDER MATERIAL: CONDUCTIVE FILM

EST PN.	HOLDER WIDTH	OVERALL HEIGHT
FLXP-5	5 MM	11.5 MM.
FLXP-6	6 MM.	11.5 MM.
FLXP-8	8 MM.	15 MM.

FIBER TYPE  
CONDUCTIVE ACRYLIC

FLX-P™ US PATENT# 6647242

- Ⓐ HOLDER MATERIAL
- Ⓑ FIBER MATERIAL
- Ⓒ EST SPECIFIED ADHESIVE
- Ⓓ EXTENDED RELEASE LINER TO BE WIDER THAN TWO BRUSHES TO PROTECT ADHESIVE & FIBERS

ELECTRO STATIC TECHNOLOGY/ITV  
31 WINTERBROOK ROAD  
MECHANIC FALLS, MAINE 04256  
PHONE (207)998-5140 FAX (207)998-5143  
E MAIL sales@est-static.com



THESE DRAWINGS, SPECS & DATA CONTAINED THEREIN, ARE THE EXCLUSIVE PROPERTY OF ELECTRO STATIC TECHNOLOGY ISSUED IN STRICT CONFIDENCE AND SHALL NOT WITHOUT CONSENT, BE REPRODUCED, COPIED OR USED FOR ANY PURPOSE WHATSOEVER, EXCEPT BUSINESS WITH EST.

CUSTOMER P/N	
E.S.T. P/N	
DATE	9/12/06