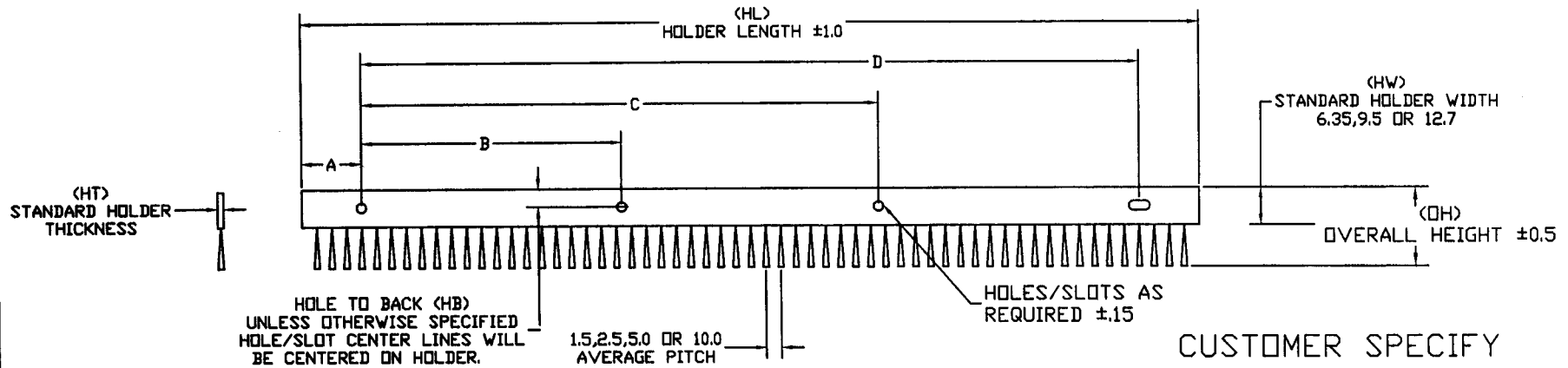


# EST WINDER DESIGN TEMPLATE



## SPECIFICATIONS

DIMENSIONS, METRIC (MM)

UNLESS OTHERWISE SPECIFIED, ALL LINEAR TOLERANCES ARE +/-0.50 MM

HOLDER MATERIAL ALUMINUM

AVAILABLE HOLDER LENGTHS (HL) 15 TO 650 MM

### HOLE POSITIONING:

A: END TO CENTER OF HOLE/SLOT 20. MM

B&C: HOLE TO HOLE MINIMUM 20. MM

D: HOLE TO SLOT MINIMUM 35. MM

FIBER BUNDLES ADJACENT TO HOLES/SLOTS MAY BE MISSING OR IMPERFECT

### FIBER MATERIAL OPTIONS

PLEASE PLACE CHECK MARK NEXT TO DESIRED FIBER TYPE AND PITCH

\_\_\_12 MICRON, 275 FILAMENTS/BUNDLE  
STAINLESS STEEL

\_\_\_7 MICRON 3000 FILAMENTS/BUNDLE  
CARBON

### AVERAGE FIBER PITCH

1.5 \_\_\_\_\_ STAINLESS STEEL ONLY

2.5 \_\_\_\_\_

5.0 \_\_\_\_\_

10.0 \_\_\_\_\_

## CUSTOMER SPECIFY

HOLE/SLOT LOCATION	HOLE SIZE	SLOT SIZE
A		
B		
C		
D		
(HB)+/- 0.5		
(HL)+/- 1.0		
(HW)+/-0.25		
(HT)+/-0.25	1.0 <input type="checkbox"/>	2.3 <input type="checkbox"/>
(DH)+/-0.50		

ELECTRO STATIC TECHNOLOGY  
31 WINTERBROOK ROAD  
MECHANIC FALLS, MAINE 04256  
PHONE (207)998-5140 FAX (207)998-5143  
E MAIL sales@est-static.com

THESE DRAWINGS, SPECS & DATA CONTAINED THEREIN, ARE THE EXCLUSIVE PROPERTY OF ELECTRO STATIC TECHNOLOGY ISSUED IN STRICT CONFIDENCE AND SHALL NOT WITHOUT CONSENT, BE REPRODUCED, COPIED OR USED FOR ANY PURPOSE WHATSOEVER, EXCEPT BUSINESS WITH E.S.T.

CUSTOMER P/N

E.S.T. P/N